

DATA SHEET: WALL PHOTOELECTRIC SWITCH WITH INTEGRATED LIGHT SENSOR



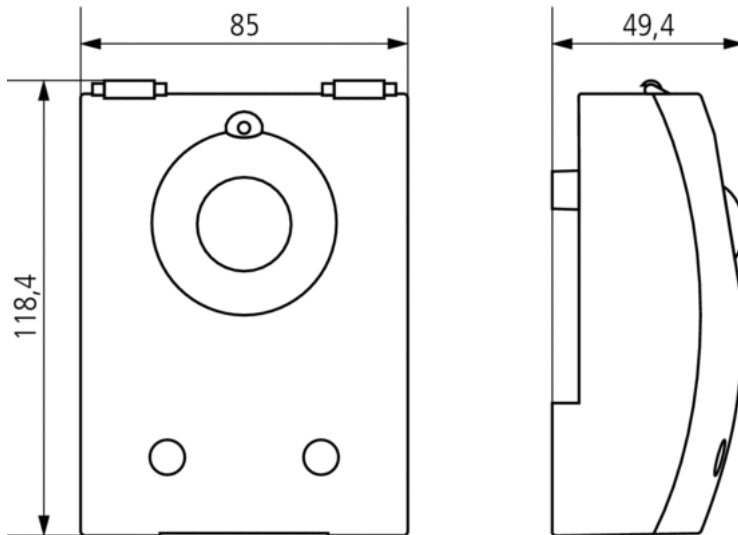
SCHRACK-INFO

- Twilight switch with integrated light sensor
- Fixed On and Off switching delay
 - to avoid faulty operation caused by lightning, car headlights etc.
- Cable feed from the back and from below
 - Cover with snap-on function when opening for the straightforward installation of the device
- Captive screws
- Large terminal area
- Brightness value can be set without opening the device
- Large light exposure angle (approx. 180 degrees)
- Infinitely adjustable switching brightness
- Test button
 - for monitoring installation independent of set brightness value. The button can be accessed without opening the device

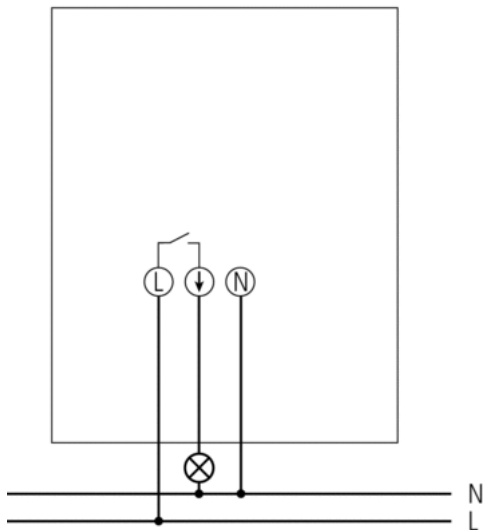
TECHNICAL DATA

Operating voltage	220 – 230 V AC
Frequency	50 – 60 Hz
Number of channels	1
Stand-by consumption	0,6 W
Setting range brightness	5 – 200 lx
Preset brightness value	15 lx
Switch-on delay	40 s
Switch-off delay	40 s
Type of contact	NO contact
Switching output	Not potential-free (230 V)
Installation type	Wall installation or mast bracket
Type of connection	Screw terminals
Switching capacity	16 A (at 230 V AC, $\cos \varphi = 1$), 10 AX (at 230 V AC, $\cos \varphi = 0.3$)
Incandescent lamp load	2300 W
Halogen lamp load	2300 W
Fluorescent lamp load (conventional) not corrected	2300 VA
Fluorescent lamp load (conventional) series-corrected	2300 VA
Fluorescent lamp load (conventional) lead-lag circuit	2300 VA
Fluorescent lamp load (conventional) parallel-corrected	400 VA, 42 μ F
Energy saving lamps	9 x 7 W, 7 x 11 W, 7 x 15 W, 7 x 20 W, 7 x 23 W
Test approval	VDE
Housing and insulation material	High-temperature resistant, self-extinguishing thermoplastic
Ambient temperature	-35 °C ... +55 °C
Type of protection	IP 55
Protection class	II

▀ DIMENSIONS



▀ CONNECTION EXAMPLE



DESCRIPTION	ORDER NO.
Wall photoelectric switch with integrated light sensor	BZT27800