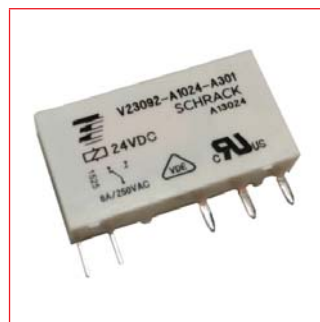


Print Relays Schrack, Series SNR

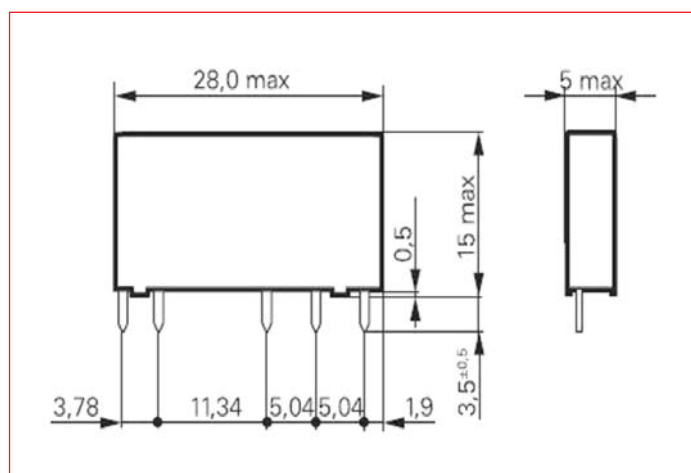


SNR03024

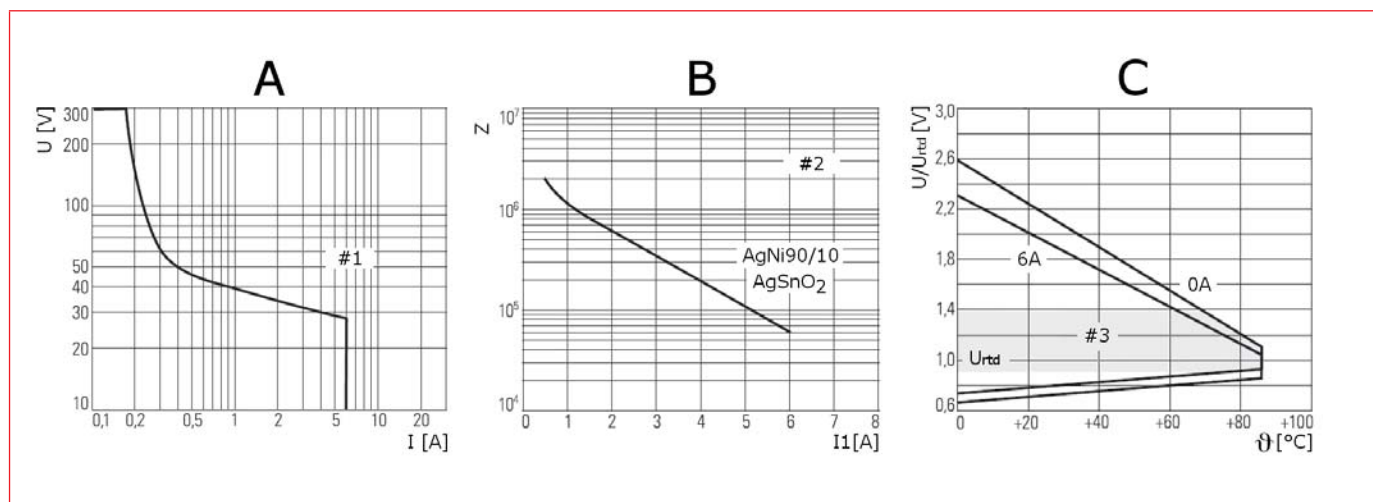
Schrack-Info

- 1 pole 6 A
- 1 CO or 1 NO
- Coil 12 or 24 V DC
- Sensitive coil 170 mW
- Only 5 mm component width
- High component density and tight-packed functionality
- Reinforced insulation (appliance class II)
- Cadmium-free contact material AgSnO_2
- For interface technology, SPS, timers, centralised and decentralised heating controls

Dimensions (mm)



Rated Breaking Capacity, Electrical Service Life & Coil Operating Voltage Range

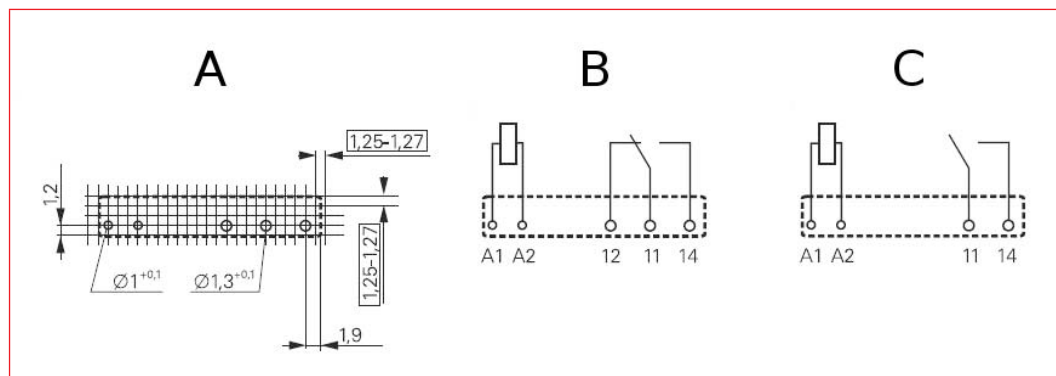


Rated Breaking Capacity, Electrical Service Life & Coil Operating Voltage Range

A	Max. DC rated breaking capacity	I	DC current in [A]
B	Electrical endurance	I1	Switching current in [A]
C	Coil operating range DC	U	DC voltage in [V]
#1	Resistive load	U/U_{rtd}	Coil voltage in [V]
#2	250 V AC Resistive load	Z	Cycles
#3	Recommended voltage range	θ	Ambient temperature in [°C]

Print Relays Schrack, Series SNR

Circuit Diagrams



Circuit Diagrams

A	Bottom view on solder pins
B	1 CO
C	1 NO

Technical Data

CONTACT DATA

Number of contacts and type	1 CO or 1NO contact	
Rated current	6 A	
Rated voltage/ max. switching voltage AC	250 / 400 V	
Limiting making current, max. 4 s, duty factor 10 %	10 A	
Max. rated breaking capacity AC	1500 V	
Contact material	AgSnO ₂	
Min. recommended contact load	100 mA, 12 V	
Frequency of operation	With Load	6 min ⁻¹
	Without Load	1200 min ⁻¹
Operate/ release time max.	12 / 5 ms	
Bounce time	3 / 8 ms	

COIL DATA

Operative range, IEC 61810	2	
----------------------------	---	--

INSULATION DATA

Initial dielectric strength	Open contacts	1000 V _{rms}
	Contact and coil	4000 V _{rms}
Clearance/ creepage	Contact and coil	≥ 6 / 8 mm
Ambient temperature	-40...+85 °C	

DESCRIPTION	AVAILABLE	ORDER NO.
12V-DC, 1 CO, 6A		SNR03012
24V-DC, 1 CO, 6A		SNR03024
24V-DC, 1 NO, 6A		SNR13024

