

■ DATASHEET: TRIPPING SIGNAL SWITCH 2CO, 250VAC/4A, SNAP-ON



■ SCHRACK INFO

- Screwless mounting, additional snap on to MCB and RCBO
- The contact material and construction are particularly suitable for low voltages
- Function of the two change-over contacts switched to trigger signal contact (electrical signals triggering)
- Test button for contact function "electric tripping "

■ ATTENTION

The "service key" is used to check whether the auxiliary switch the trigger signal switch position is wired correctly. By pressing the "Service key" to simulate an electrical disconnection of mechanical and the mechanism for the electrical disconnection unlatched and checked.

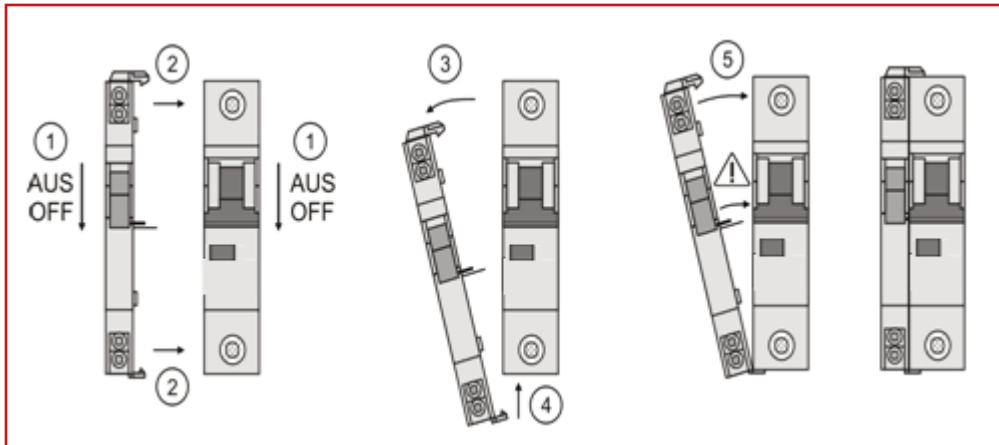
The coupled to the auxiliary switch BM900022 main switching device (MCB, RCBO) does not trigger the review by the service key with.

■ TECHNICAL DATA

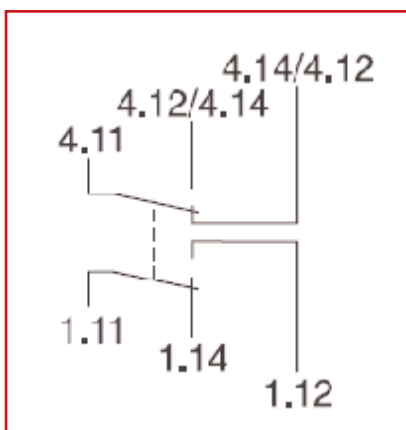
Product-standards:	IEC/EN 62019
Contacts:	2 Co
Function of contacts	Trigger signal function and / or standard feature (switchable), contacts with relative motion (self-cleaning)
snapped on to:	BMSO, BOLE, MP, BMA, B-FA
Trip indicator:	blue/white
ELECTRIC DATAS	
Rated current I_{th}	4 A
Utilisation category AC-13:	
Rated operation current I_e	3A-AC
Rated operation voltage U_e	250V-AC
Utilisation category AC-15:	
Rated operation current I_e	2A-AC
Rated operation voltage U_e	250V-AC
Utilisation category DC-12 / 110V-DC:	
Rated operation current I_e	0,5A-DC
Rated operation voltage U_e	110V-DC
Utilisation category DC-12 / 220V-DC:	
Rated operation current I_e	0,25A-DC
Rated operation voltage U_e	220V-DC
Rated insulation voltage U_i	250V-AC
Minimum operating voltage per contact U_{min}	5V-AC/DC
Minimum operating current I_{min}	10mA-AC/DC
Reliability of contact (IEC/EN 60947-5-4)	17V-DC / 5V-DC, 40.000 switchings
Rated impulse withstand voltage U_{imp}	2,5kV (1,2/50 μ sec)
Conditional rated short circuit current I_k	1kA ($U=282V / \cos \varphi = 0,68$)
	(with back up fuse 6 A gL or BMSO-H / B4)

MECHANICAL DATAS:	
Width:	0.5 SU (8.8 mm)
Dimension of cap:	45mm
Dimension of socket:	80mm
Shoulder height:	44mm
Terminal	Liftterminal
Capacity of rigid cables	1 x 0.5 mm ² - 1 x 1.5 mm ²
	1 x AWG20 - 1 x AWG15
Capacity of flexible cables	1 x 0.5 mm ² - 1 x 2.5 mm ²
	1 x AWG20 - 1 x AWG14
Terminal-screws	M3 (in according DIN7962-Z0, Pozidriv)
Torque of terminals	0.8 Nm - 1.0 Nm
Shock protected:	to specification VBG 4, ÖVE EN-6

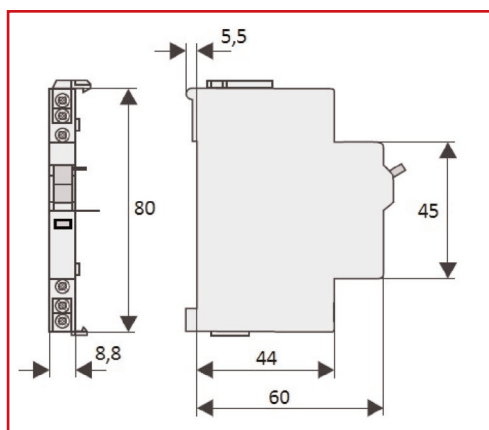
■ MOUNTING



■ WIRING DIAGRAM



■ DIMENSIONS



DESCRIPTION	ORDER NO.
Tripping Signal Switch 2CO, 250VAC/4A, snap-on	BM900022