

■ Datenblatt: Motor protection 55,0-63,0A, 3-pole



■ SCHRACK-INFO

- Motor protection switch 3-pole for motor currents from 24A to 63A
- With phase failure detection
- Side and front auxiliary contacts can be retrofitted
- Suitable for motors of efficiency class IE3

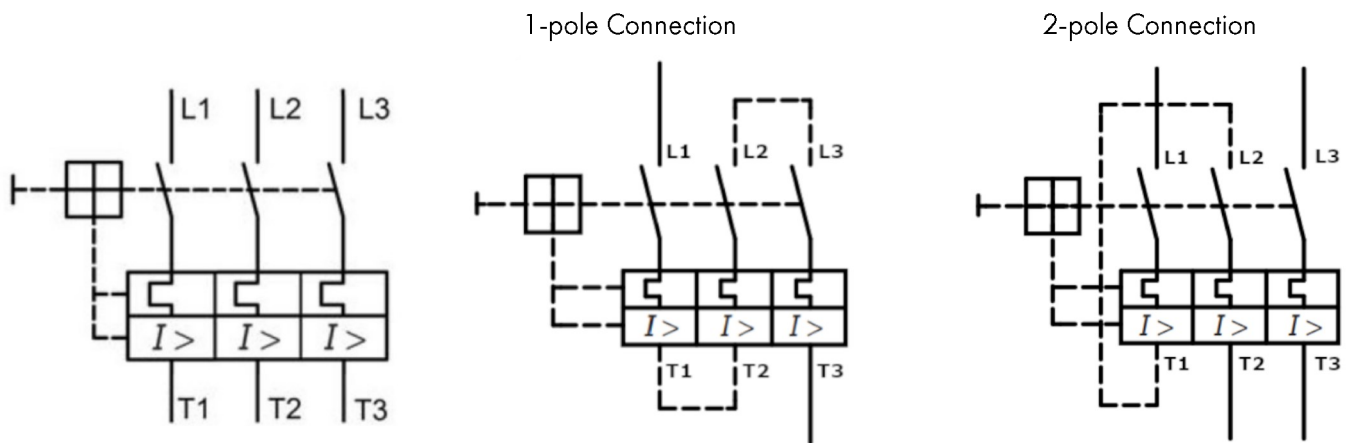
■ Technical Data

Standards	EN 60947, IEC 60947	
Rated operational voltage U_e	690V AC	
Rated frequency	40/60Hz	
Rated impulse withstand voltage U_{imp}	6000V AC	
Kurzschlussfestigkeit	60kA (to 250V)	
Motor switching capacity AC-3 (up to 690 V)	65A	
Motor switching capacity DC-5 (up to 250 V)	65A (3 contacts in series)	
Overvoltage category/pollution degree	III/3	
Rated uninterrupted current = rated operational current $I_e = I_u$	65A	
Max. motor rating AC-3	220 V 230 V 240 V	18.5kW
	380 V 400 V 415 V	34kW
	440V	37kWA
	500V	45kW
	660V 690V	55kW

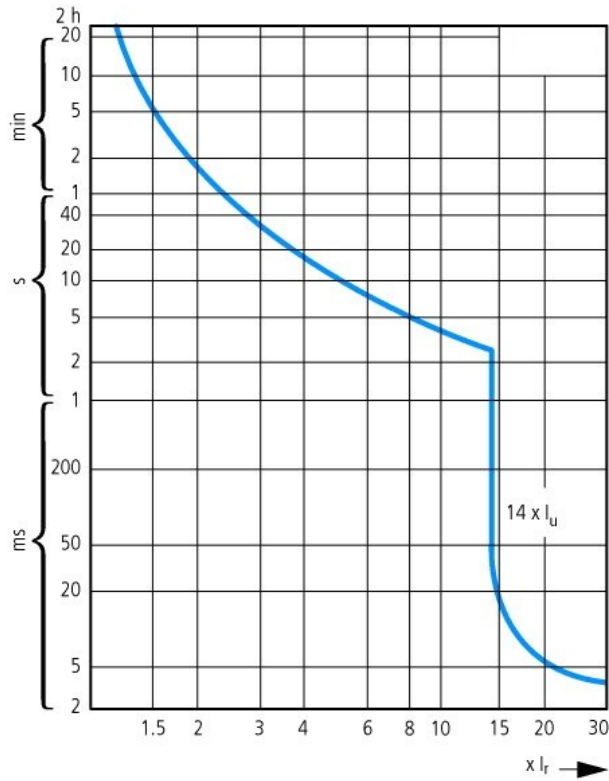
Overload releases I_r	55 - 65A
Setting range of overload releases	0.6 - 1 x I_u
Short-circuit release	Basic device, fixed: 15.5 x I_u
Short-circuit release tolerance	± 20%
Phase-failure sensitivity	IEC/EN 60947-4-1, VDE 0660 part 102
Max. short-circuit release I_{rm}	1008A
Ambient temperature - Operating range	- 25 - 55°C
Temperature compensation to IEC/EN 60947	-5 - 40°C
Ambient temperature Storage	-40 - 80°C
Ambient temperature open	-25 - 55°C
Ambient temperature Enclosed	-25 - 40°C
Temperature compensation residual error for $T > 40$ °C	0.25 %/K
Electrical Lifespan	> 0.03x10 ⁶ Operations
Mechanical Lifespan	0,03x10 ⁶ Operations
Degree of protection device	IP20
Degree of protection Terminations	IP00
Max. operating frequency	40S/h
Impedance per pole	2mΩ
Current heat loss (3 pole at operating temperature)	33.5W
Altitude	max. 2000m
Protection against direct contact when actuated from front (EN50274)	Finger and back-of-hand proof
Mechanical shock resistance half-sinusoidal shock 10 ms to IEC 60068-2-27	15g
Rated operational current for specified heat dissipation I_n	65A
Heat dissipation per pole, current-dependent P_{vid}	11.17W
Equipment heat dissipation, current-dependent P_{vid}	33.5W
Static heat dissipation, non-current-dependent P_{vs}	0W
Heat dissipation capacity P_{ve}	0W

Terminal capacity main cable	
<u>Solid</u>	1 x (1 - 50)mm ² 2 x (1 - 35)mm ²
<u>Flexible with ferrule to DIN 46228</u>	1 x (1 - 35)mm ² 2 x (1 - 35)mm ²
<u>Solid or stranded</u>	50 - 240mm ² 2 x 50 - 240mm ²
<u>Solid or stranded</u>	14 - 2AWG
<u>Stripping length</u>	14mm
<u>Torque</u>	3,3Nm

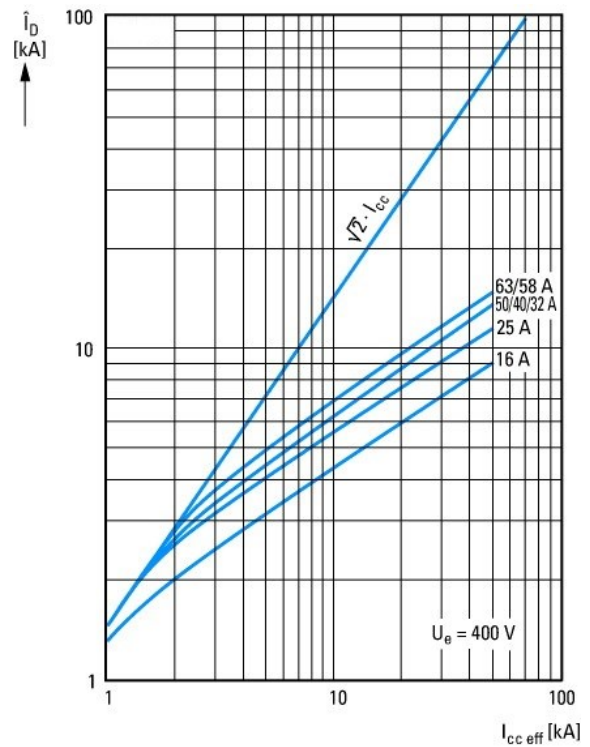
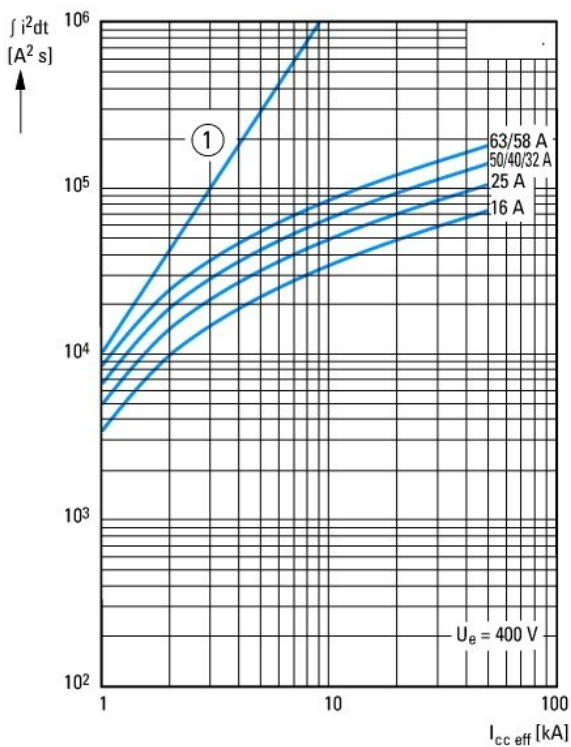
■ Contact sequence



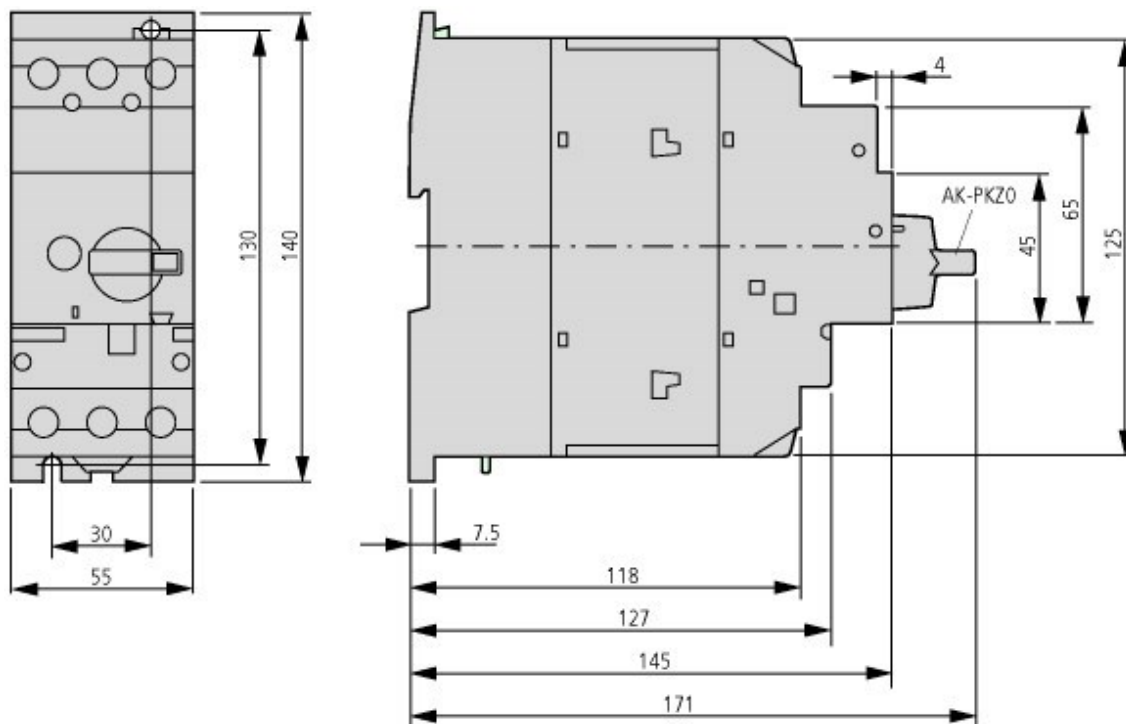
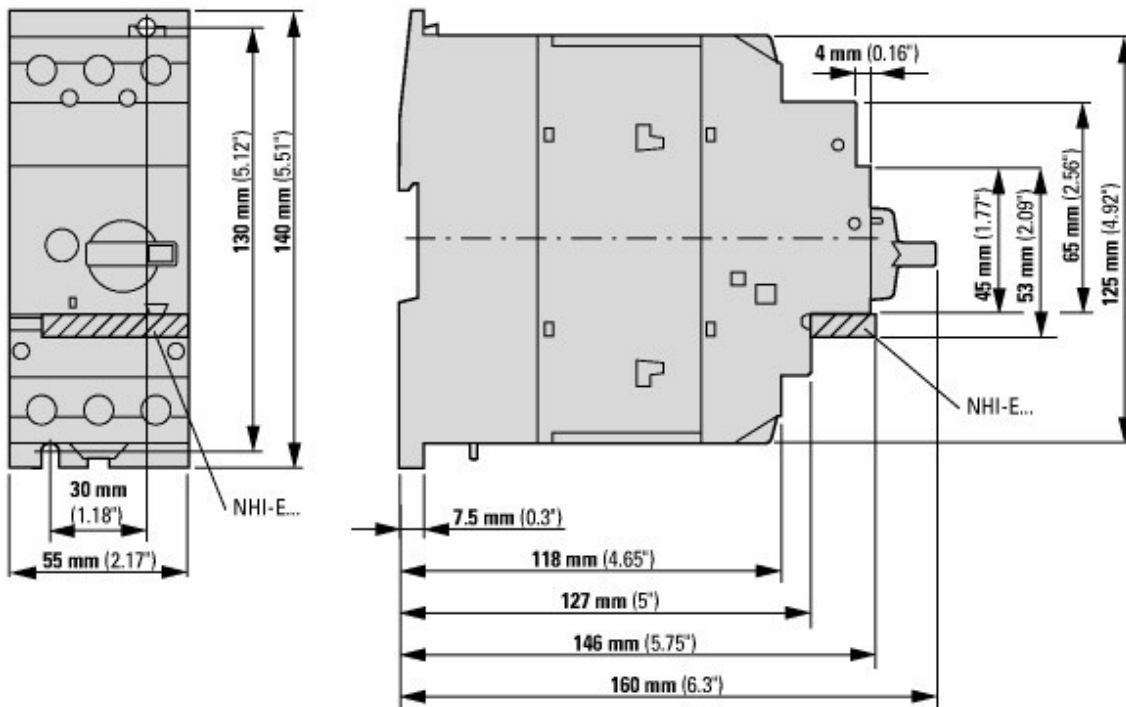
Characteristic curve



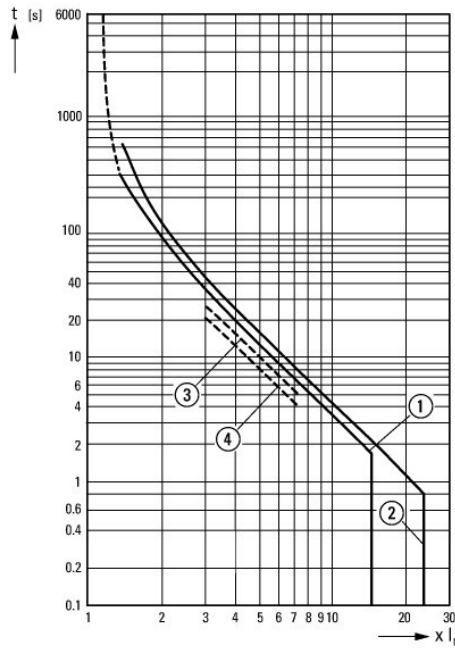
Let-through characteristics



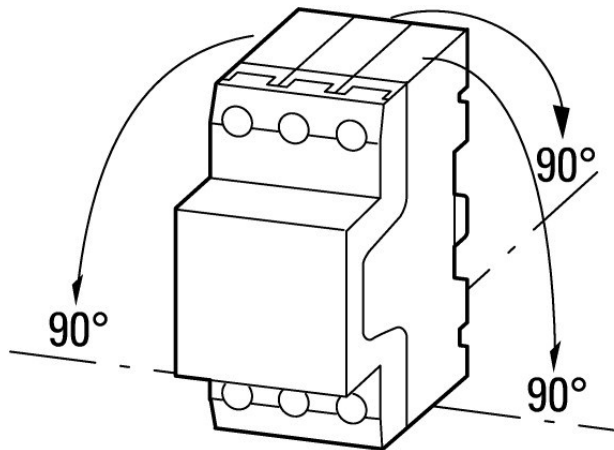
▀ Dimensions



Tripping time characteristic



Mounting position



Article number

Motor protection switch series BE6

Description	Order number
Motor protection switch 55,0-63,0A, 3-pole	BE663000--