

■ Datasheet: Neutral Conductor Feed-through Module, 63A, 1 MW



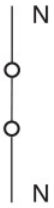
■ SCHRACK-INFO

- Compatible busbar to MSB series BM
- Terminal capacity: 1-25 mm²
- 1 MW wide

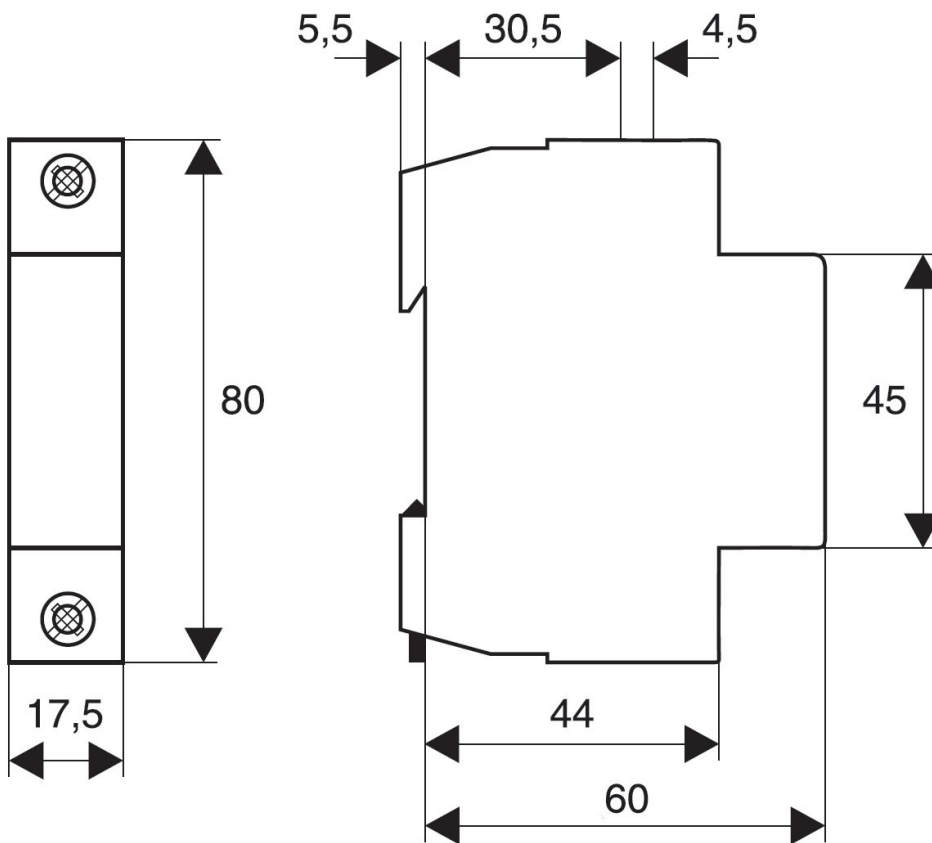
■ Technical datas

Rated current		63 A
Frequenzy		50-60 Hz
Power loss		1,1 W
Module wide		1 MW
Installation width		17,5 mm
Front - Cap dimension		45 mm
Device height		80 mm
Mounting		Tristable latch slide for DIN rail according to EN 50022
Protection class		IP20
Protection class installed		IP40
Terminals	top	Clamp/lift terminal
	bottom	Clamp/lift terminal
Terminal protection		Finger and hand touch safe, BGV A3, ÖVE-EN 6
Material thickness busbar		0,8 - 2 mm
Terminal cross-section	top	1-25 mm ²
	bottom	1-25 mm ²
Terminal screw torque		2 - 2,4 Nm

■ Wiring diagram



■ Dimensions



■ Articles

Description	Orderno.
Neutral Conductor Feed-through Module, 63A, 1MW	BS900004--