

DATA SHEET: RESIDUAL CURRENT CIRCUIT BREAKER 25-100A, SERIES BCFO AND BCF6



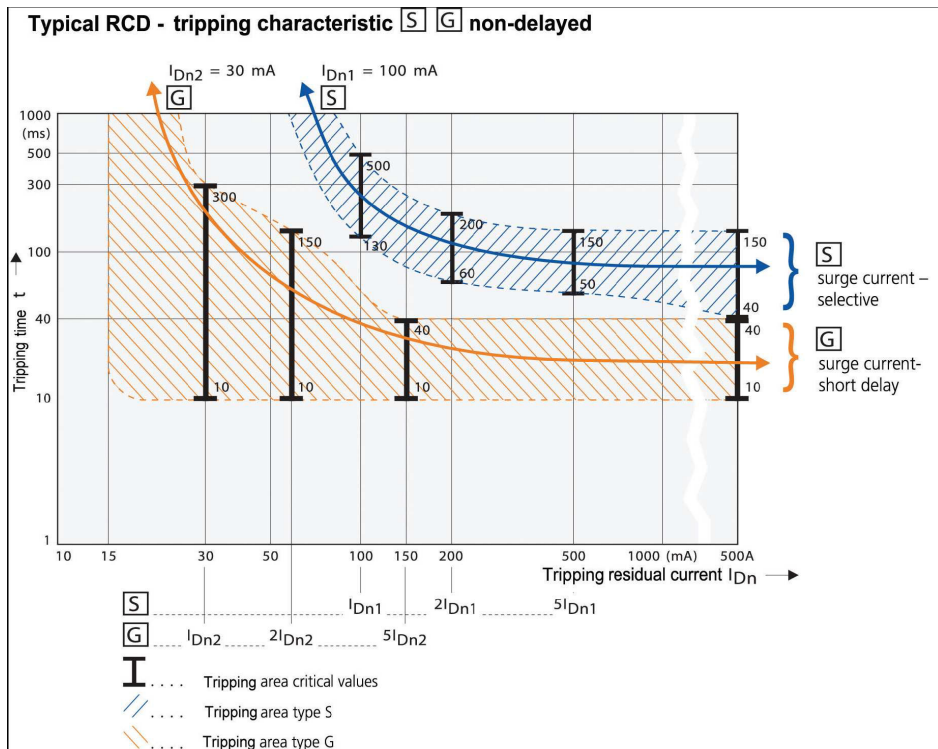
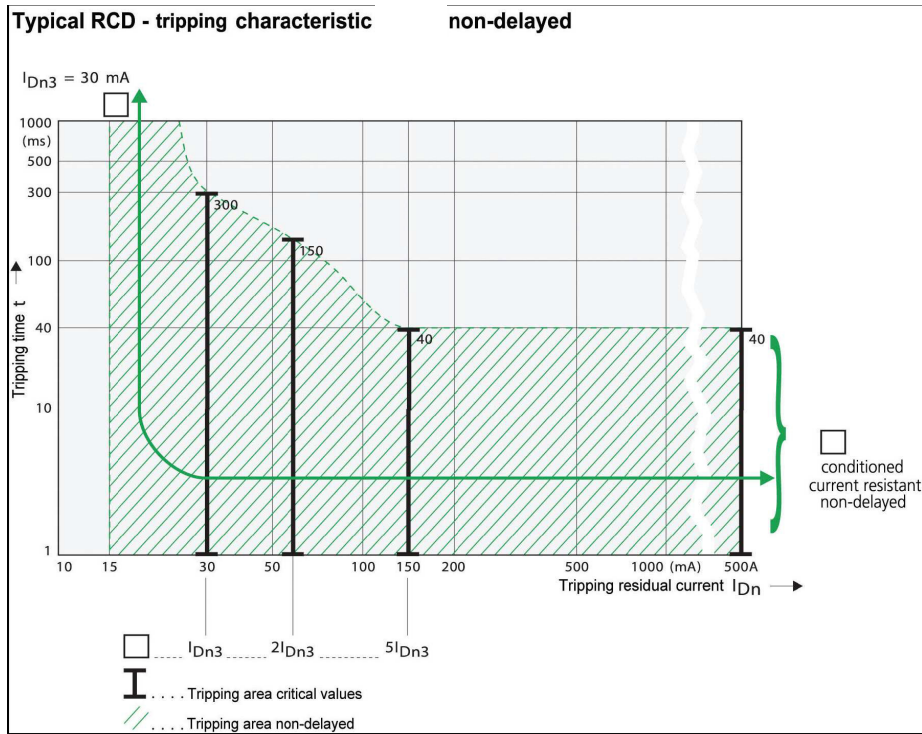
SCHRACK-INFO

- Any mains connection
- If using 4-pole. switches with 3 or 2-poles, ensure connection acc. to assembly instructions
- The test key T is to be operated every month (supplied adhesive instruction plate)

TECHNICAL DATA

Rated voltage:	230/400 V AC 4-pole, 230 V AC 2-pole, 50 Hz	
Certifications:	IEC/EN 61 008, Type G accord. to ÖVE E 8601	
Ambient operating temperature:	-25 °C to +40 °C	
Max. back-up fuse:	as overload protection:	as short circuit protection:
In = 16A	10A gG/gL	63A gG/gL
In = 25-40A	25A gG/gL	63A gG/gL
In = 63A	40A gG/gL	63A gG/gL
In = 80A	50A gG/gL	80A gG/gL
In = 100A	63A gG/gL	100A gG/gL
Short-circuit proofing:	6/10 kA, with back-up fuse 63 A gL, see print	
Terminals:	2/4-pole, open mouthed terminal and lift clamps both sides, 1-35 mm ² single core, 2x16 mm ² multi core	
Finger and hand touch safe :	accord. to VBG 4, ÖVE-EN 6	
Rated residual current:	30 mA, 100 mA, 300 mA (other upon request)	
Service life:	electrical ≥ 4.000 cycles, mechanical ≥ 20.000 cycles	
Prevents nuisance tripping caused by switching electronic light:	Devices (ELD) (up to max. 20 per phase, max. 60 devices per RCBO)	
Special snap-on mounting:	for DIN rails EN 50 022	
Impulse current proof:	>250 A (8/20 μs) >3 kA (8/20 μs) Typ G >5 kA (8/20 μs) Typ S	
Release time:	Non delayed min. 10 ms delay (Type G) min. 40 ms delay (Type S) selective switch-off	
Sensitivity:	Sensitive to cycle change	
Contact position display (red/green):	for 4-pole version	

TRIPPING CHARACTERISTIC



POWER LOSS BCFO AND BCF6

Type	I _n [A]	I _{An} [mA]	Type	P [W]
BCFO-25/2/..	25	30	AC	1.3
BCFO-25/2/..	25	100,300,500	AC	2.0
BCFO-25/2/..	25	30	A	1.3
BCFO-25/2/..	25	100,300	A	2.0
BCFO-25/2/..	25	30,100	G	1.3
BCFO-40/2/..	40	30	AC	5.8
BCFO-40/2/..	40	100,300,500	AC	5.4
BCFO-40/2/..	40	30	A	5.8
BCFO-40/2/..	40	100,300,500	A	5.4
BCFO-40/2/..	40	30,100	G	5.8
BCFO-40/2/..	40	100	S	5.8
BCFO-40/2/..	40	300	S	5.4
BCFO-63/2/..	63	30	AC	9.7
BCFO-63/2/..	63	100,300,500	AC	7.2
BCFO-63/2/..	63	30	A	9.7
BCFO-63/2/..	63	100,300,500	A	7.2
BCFO-25/4/..	25	30	AC	3.1
BCFO-25/4/..	25	100,300,500	AC	2.8
BCFO-25/4/..	25	30	A	3.1
BCFO-25/4/..	25	100,300,500	A	2.8
BCFO-25/4/..	25	100,300	S	2.8
BCFO-25/4/..	25	100	S/A	2.8
BCFO-40/4/..	40	30	AC	9.6
BCFO-40/4/..	40	100,300,500,	AC	8.4
BCFO-40/4/..	40	30	A	9.6
BCFO-40/4/..	40	100,300,500,	A	8.4
BCFO-40/4/..	40	30	G	9.6
BCFO-40/4/..	40	100	G	8.4
BCFO-40/4/..	40	30	G/A	9.6
BCFO-40/4/..	40	100,300	S	8.4
BCFO-40/4/..	40	100,300	S/A	8.4
BCFO-63/4/..	63	30	AC	13.4
BCFO-63/4/..	63	100,300,500	AC	10.5
BCFO-63/4/..	63	30,100,300,500	A	10.5
BCFO-63/4/..	63	30	G	13.4
BCFO-63/4/..	63	100	G	10.5
BCFO-63/4/..	63	30	G/A	13.4
BCFO-63/4/..	63	100,300	S	10.5
BCFO-63/4/..	63	100,300	S/A	10.5
BCFO-40/4/..-VF	40	30	AC	5.4
BCFO-40/4/..-VF	40	100	AC	4.2
BCFO-40/4/..-VF	40	30	A	4.2
BCFO-40/4/..-VF	40	30	G	5.4
BCFO-40/4/..-VF	40	30	G/A	5.4
BCFO-40/4/..-VF	40	100,300	S/A	4.2
BCFO-40/4/..-U	40	100,300	U	8.4
BCFO-40/4/..-U/VF	40	100,300	U	4.2
BCFO-40/4/..-U/VF	63	100,300	U	10.5

INFLUENCE OF AMBIENT TEMPERATUR ON THE MAXIMUM PERMISSIBLE CONTINUOUS CURRENT (A)

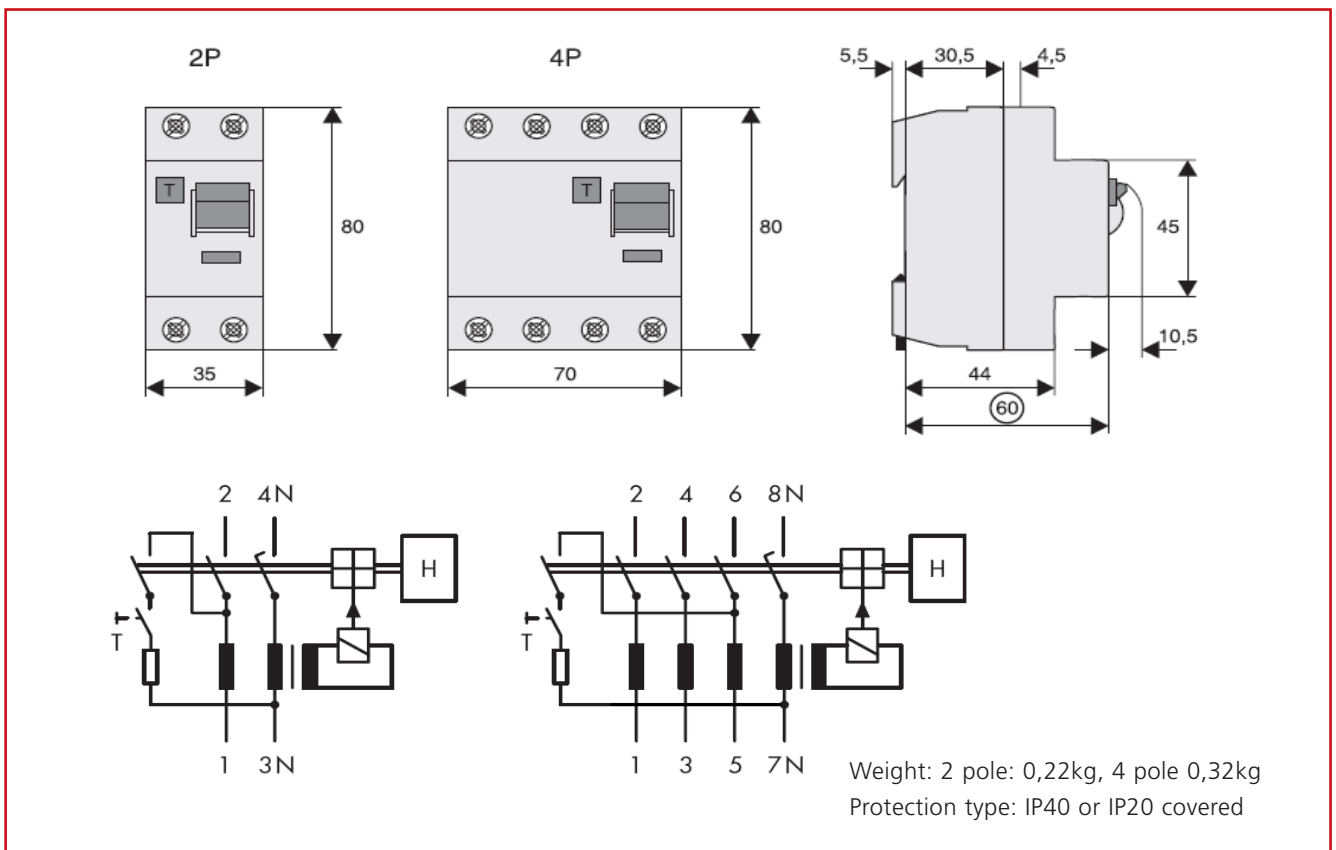
Ambient temperature	Version										
	16A 2-pole	25A 2-pole	25A 4-pole	40A 2-pole	40A 4-pole	63A 2-pole	63A 4-pole	80A 2-pole	80A 4-pole	100A 2-pole	100A 4-pole
40°	16	25	25	40	40	63	63	80	80	100	100
45°	14	21	22	37	37	59	59	76	76	95	95
50°	11	18	19	33	34	55	55	72	72	90	90
55°	9	14	16	30	31	50	50	68	68	85	85
60°	-	-	-	26	27	45	45	64	64	80	80

Note: It is important, that these values are not exceeded. 16A and 25A RCCBs cannot be used at 60°C.

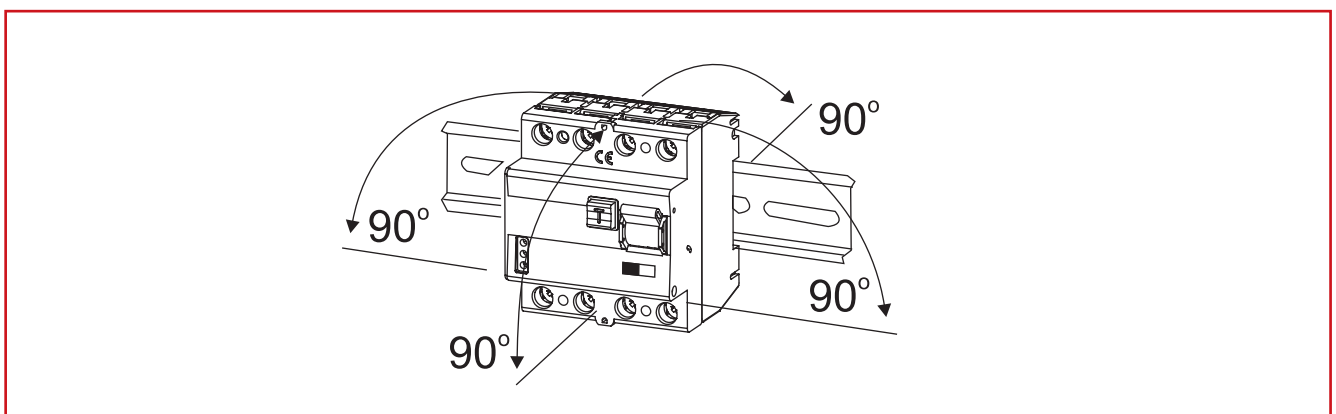
NOTE

Operation of the test key T checks only the functioning of the residual current (RCBO) circuit breaker. This test replaces neither the ground resistance measurement (RE), nor a proper protective conductor status check, which must be carried out separately.

DIMENSIONS AND WIRING DIAGRAMS



INSTALLATION POSITION



■ BCF0, 10kA, AC-SENSITIVE, SURGE CURRENT PROOF, 250 A (8/20 μ S)

TYPE	RATED CURRENT/NO. OF POLES/RATED RESIDUAL CURRENT	EAN CODE	ORDER NO.
BCF0 25/2/003	25 A/2/0,03 A	9004840393514	BC002203
BCF0 25/2/01	25 A/2/0,1 A	9004840393521	BC002210
BCF0 25/2/03	25 A/2/0,3 A	9004840393545	BC002230
BCF0 40/2/003	40 A/2/0,03 A	9004840393583	BC004203
BCF0 40/2/01	40 A/2/0,1 A	9004840393590	BC004210
BCF0 40/2/03	40 A/2/0,3 A	9004840393606	BC004230
BCF0 63/2/003	63 A/2/0,03 A	9004840393644	BC006203
BCF0 63/2/01	63 A/2/0,1 A	9004840393651	BC006210
BCF0 63/2/03	63 A/2/0,3 A	9004840393668	BC006230
BCF0 25/4/003	25 A/4/0,03 A	9004840393484	BC002103
BCF0 25/4/01	25 A/4/0,1 A	9004840393491	BC002110
BCF0 25/4/03	25 A/4/0,3 A	9004840393507	BC002130
BCF0 40/4/003	40 A/4/0,03 A	9004840393552	BC004103
V-BCF0 40/4/003	VF 40 A/4/0,03 A	9004840395709	BC004403
BCF0 40/4/01	40 A/4/0,1 A	9004840393569	BC004110
V-BCF0 40/4/01	VF 40 A/4/0,1 A	9004840395716	BC004410
BCF0 40/4/03	40 A/4/0,3 A	9004840393576	BC004130
BCF0 40/4/05	40 A/4/0,5 A	9004840452020	BC004150
BCF0 63/4/003	63 A/4/0,03 A	9004840393613	BC006103
V-BCF0 63/4/003	VF 63 A/4/0,03 A	9004840409543	BC006603
BCF0 63/4/01	63 A/4/0,1 A	9004840393620	BC006110
V-BCF0 63/4/01	VF 63 A/4/0,1 A	9004840409550	BC006610
BCF0 63/4/03	63 A/4/0,3 A	9004840393637	BC006130
BCF0 63/4/05	63 A/4/0,5 A	9004840452037	BC006150
BCF0 80/4/003	80 A/4/0,03 A	9004840422856	BC008103
BCF0 80/4/01	80 A/4/0,1 A	9004840422863	BC008110
BCF0 80/4/03	80 A/4/0,3 A	9004840422870	BC008130
BCF0 100/4/003	100 A/4/0,03 A	9004840422399	BC000103
BCF0 100/4/01	100 A/4/0,1 A	9004840422405	BC000110
BCF0 100/4/03	100 A/4/0,3 A	9004840422412	BC000130
BCF0 100/4/05	100 A/4/0,5 A	9004840422429	BC000150

BCF6, 6kA, AC-SENSITIVE, SURGE CURRENT PROOF, 250 A (8/20 μ S)

TYPE	RATED CURRENT/NO. OF POLES/RATED RESIDUAL CURRENT	EAN CODE	ORDER NO.
BCF6 25/2/003	25 A /2/0,03 A	9004840394023	BC602203
BCF6 25/2/01	25 A /2/0,1 A	9004840451467	BC602210
BCF6 25/2/03	25 A /2/0,3 A	9004840394030	BC602230
BCF6 40/2/003	40 A /2/0,03 A	9004840394061	BC604203
BCF6 40/2/01	40 A /2/0,1 A	9004840451474	BC604210
BCF6 40/2/03	40 A /2/0,3 A	9004840394078	BC604230
BCF6 63/2/003	63 A /2/0,03 A	9004840394108	BC606203
BCF6 63/2/01	63 A /2/0,1 A	9004840451566	BC606210
BCF6 63/2/03	63 A /2/0,3 A	9004840394115	BC606230
BCF6 25/4/003	25 A /4/0,03 A	9004840394153	BC602103
BCF6 25/4/01	25 A /4/0,1 A	9004840451511	BC602110
BCF6 25/4/03	25 A /4/0,3 A	9004840394160	BC602130
BCF6 25/4/05	25 A /4/0,5 A	9004840451955	BC602150
BCF6 40/4/003	40 A /4/0,03 A	9004840394191	BC604103
BCF6 40/4/01	40 A /4/0,1 A	9004840451528	BC604110
BCF6 40/4/03	40 A /4/0,3 A	9004840394207	BC604130
BCF6 40/4/05	40 A /4/0,5 A	9004840451962	BC604150
BCF6 63/4/003	63 A /4/0,03 A	9004840394238	BC606103
BCF6 63/4/01	63 A /4/0,1 A	9004840451610	BC606110
BCF6 63/4/03	63 A /4/0,3 A	9004840394245	BC606130
BCF6 63/4/05	63 A /4/0,5 A	9004840451979	BC606150

**BCF0, 10kA, AC-SENSITIVE, SURGE CURRENT PROOF, 3kA (8/20 μ S),
10 ms DELAY, TYP G**

TYPE	RATED CURRENT/NO. OF POLES/RATED RESIDUAL CURRENT	EAN CODE	ORDER NO.
BCF0 25/2/01-G	25 A/2/0,1 A	9004840393682	BC022210
BCF0 40/2/003-G	40 A/2/0,03 A	9004840393712	BC024203
BCF0 40/2/01-G	40 A/2/0,1 A	9004840393729	BC024210
BCF0 40/4/003-G	40 A/4/0,03 A	9004840393699	BC024103
V-BCF0 40/4/003	VF 40 A/4/0,03 A	9004840407969	BC024403
BCF0 40/4/01-G	40 A/4/0,1 A	9004840393705	BC024110
V-BCF0 40/4/01-G	VF 40 A/4/0,1 A	9004840407983	BC024410
BCF0 63/4/003-G	63 A/4/0,03 A	9004840393736	BC026103
V-BCF0 63/4/003-G	VF 63 A/4/0,03 A	9004840455069	BC026603
BCF0 63/4/01-G	63 A/4/0,1 A	9004840393743	BC026110
V-BCF0 63/4/01-G	VF 63 A/4/0,1 A	9004840410167	BC026610
BCF0 80/4/003-G	80 A/4/0,03 A	9004840449587	BC028103
BCF0 100/4/003-G	100 A/4/0,03 A	9004840448719	BC020103
BCF0 100/4/03-G	100 A/4/0,3 A	9004840448726	BC020130

BCF0, 10kA, PULSE-SENSITIVE, SURGE CURRENT PROOF, 250 A (8/20 μ S)

TYPE	RATED CURRENT/NO. OF POLES/RATED RESIDUAL CURRENT	EAN CODE	ORDER NO.
BCF0 16/2/001-A	16 A/2/0,01 A	9004840459098	BC059201
BCF0 40/2/003-A	40 A/2/0,03 A	9004840393873	BC054203
BCF0 25/4/003-A	25 A/4/0,03 A	9004840393781	BC052103
BCF0 25/4/01-A	25 A/4/0,1 A	9004840393798	BC052110
BCF0 40/4/003-A	40 A/4/0,03 A	9004840393842	BC054103
BCF0 40/4/01-A	40 A/4/0,1 A	9004840393859	BC054110
BCF0 63/4/003-A	63 A/4/0,03 A	9004840393897	BC056103
BCF0 63/4/01-A	63 A/4/0,1 A	9004840393903	BC056110
BCF0 80/4/003-A	80 A/4/0,03 A	9004840422887	BC058103
BCF0 80/4/01-A	80 A/4/0,1 A	9004840422894	BC058110
BCF0 80/4/03-A	80 A/4/0,3 A	9004840422900	BC058130
BCF0 100/4/003-G/A	100 A/4/0,03 A	9004840422436	BC050103
BCF0 100/4/01-A	100 A/4/0,1 A	9004840422443	BC050110
BCF0 100/4/03-A	100 A/4/0,3 A	9004840422450	BC050130

BCF6, 6kA, PULSE-SENSITIVE, SURGE CURRENT PROOF, 250 A (8/20 μ S)

TYPE	RATED CURRENT/NO. OF POLES/RATED RESIDUAL CURRENT	EAN CODE	ORDER NO.
BCF6 25/2/003-A	25 A /2/0,03 A	9004840394009	BC652203
BCF6 25/2/03-A	25 A /2/0,3 A	9004840394016	BC652230
BCF6 40/2/003-A	40 A /2/0,03 A	9004840394047	BC654203
BCF6 40/2/03-A	40 A /2/0,3 A	9004840394054	BC654230
BCF6 63/2/003-A	63 A /2/0,03 A	9004840394085	BC656203
BCF6 63/2/03-A	63 A /2/0,3 A	9004840394092	BC656230
BCF6 25/4/003-A	25 A /4/0,03 A	9004840394122	BC652103
BCF6 25/4/01-A	25 A /4/0,1 A	9004840451535	BC652110
BCF6 25/4/03-A	25 A /4/0,3 A	9004840394139	BC652130
BCF6 40/4/003-A	40 A /4/0,03 A	9004840394177	BC654103
BCF6 40/4/03-A	40 A /4/0,3 A	9004840394184	BC654130
BCF6 63/4/003-A	63 A /4/0,03 A	9004840394214	BC656103
BCF6 63/4/03-A	63 A /4/0,3 A	9004840394221	BC656130

BCF0, 10kA, PULSE-SENSITIVE, SURGE CURRENT PROOF, 3kA (8/20 μ S), 10 ms DELAY, TYP G

TYPE	RATED CURRENT/NO. OF POLES/RATED RESIDUAL CURRENT	EAN CODE	ORDER NO.
BCF0 40/4/003-G/A	40 A/4/0,03 A	9004840395730	BC034103
V-BCF0 40/4/003-G/A	VF 40 A/4/0,03 A	9004840407976	BC034403
BCF0 63/4/003-G/A	63 A/4/0,03 A	9004840395723	BC036103
BCF0 80/4/003-G/A	80 A/4/0,03 A	9004840448757	BC038103
BCF0 100/4/003-G/A	100 A/4/0,03 A	9004840448733	BC030103
BCF0 100/4/03-G/A	100 A/4/0,3 A	9004840448740	BC030130

BCF6, 6kA, PULSE-SENSITIVE, SURGE CURRENT PROOF, 3kA (8/20 μ S), 10 ms DELAY, TYP G

TYPE	RATED CURRENT/NO. OF POLES/RATED RESIDUAL CURRENT	EAN CODE	ORDER NO.
BCF6 40/2/003-G/A	40 A /2/0,03 A	9004840621204	BC634203
BCF6 40/4/003-G/A	40 A /4/0,03 A	9004840621198	BC634103

BCF0, 10kA, SELEKTIV PULSE-SENSITIVE, SURGE CURRENT PROOF, 5kA (8/20 μ S), TYP S

TYPE	RATED CURRENT/NO. OF POLES/RATED RESIDUAL CURRENT	EAN CODE	ORDER NO.
BCF0 40/4/01-S/A	40 A/4/0,1 A	9004840393927	BC064110
V-BCF0 40/4/01-S/A	VF 40 A/4/0,1 A	9004840395693	BC064410
BCF0 40/4/03-S/A	40 A/4/0,3 A	9004840393934	BC064130
BCF0 63/4/01-S/A	63 A/4/0,1 A	9004840393941	BC066110
BCF0 63/4/03-S/A	63 A/4/0,3 A	9004840393958	BC066130
BCF0 80/4/03-S/A	80 A/4/0,03 A	9004840448917	BC068130
BCF0 100/4/03-S/A	100 A/4/0,3 A	9004840422467	BC060130

BCF0, 10kA, PULSE-SENSITIVE FOR FREQUENZY CONVERTER, SURGE CURRENT PROOF, 3 kA (8/20 μ S), 10 ms DELAY, TYP G AND TYP U

TYPE	RATED CURRENT/NO. OF POLES/RATED RESIDUAL CURRENT	EAN CODE	ORDER NO.
BCF0 U-40/4/003-G/A	40 A/4/0,03 A	9004840506518	BC094103
BCF0 U-63/4/003-G/A	63 A/4/0,03 A	9004840506525	BC096103

BCF0, 10kA, SELEKTIV PULS-SENSITIVE FOR FREQUENZY CONVERTER, SURGE CURRENT PROOF, 5 kA (8/20 μ S), TYP S AND TYP U

TYPE	RATED CURRENT/NO. OF POLES/RATED RESIDUAL CURRENT	EAN CODE	ORDER NO.
BCF0 U-40/4/01-S/A	40 A/4/0,1 A	9004840393965	BC094110
BCF0 U-40/4/03-S/A	40 A/4/0,3 A	9004840393972	BC094130
BCF0 U-63/4/01-S/A	63 A/4/0,1 A	9004840393989	BC096110
BCF0 U-63/4/03-S/A	63 A/4/0,3 A	9004840393996	BC096130
V-BCF0 U-63/4/01-S/A	VF 63 A/4/0,1 A	9004840409581	BC096610
V-BCF0 U-63/4/03-S/A	VF 63 A/4/0,3 A	9004840409598	BC096630
BCF0 U-80/4/03-S/A	80 A/4/0,3 A	9004840422474	BC098130
BCF0 U-100/4/03-S/A	100 A/4/0,3 A	9004840422481	BC090130